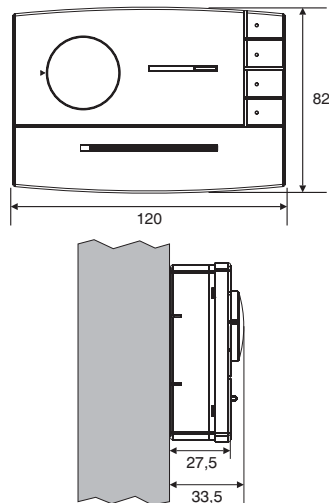


TECHNICAL DATA

Supply voltage:	230 V ~ 50 ÷ 60 Hz
Type of disconnect and device:	1 / B / Electronic
Type of output (for type of control):	
- fixed fan	polarized single-pole switch 5(2) A 250 V ~
- solenoid valve (thermostat controlled)	polarized single pole ON/OFF relay 5(2) A 250 V ~
- fan+solenoid valve (thermostat controlled)	relay + switch max total capacity 5(2) A 250 V ~
Maximum section of wires at terminals:	1,5 mm ²
Insulation:	class II <input type="checkbox"/>
Protection category:	IP 30
Pollution:	normal
Operating temperature limits:	0 °C ÷ +50 °C
Storing temperature limits:	-10 °C ÷ +65 °C
Fan speed selection:	3 speeds+ stop
Type of control:	proportional band (width 2 °C)
Temperature control range:	5 °C ÷ 30 °C
Settable max. temperature limit:	16,18, 20, 22, 24 °C (settable with range disc)
Precision read of temperature:	± 1 °C
Mode of operation (settable):	- thermostat controlled solenoid valve and fixed fan - solenoid valve and fan both thermostat controlled
Reference standard for CE mark:	LVD EN60730-2-9 EMC EN60730-2-9

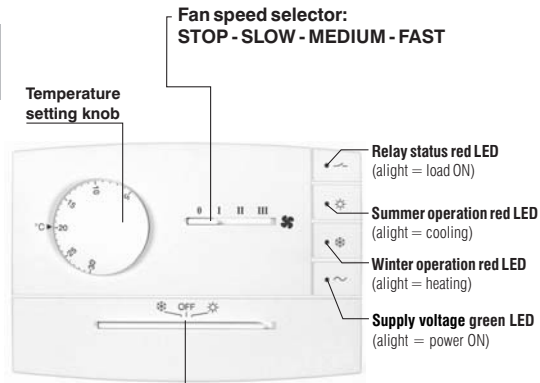
DIMENSIONS



GB

Note: installation and electrical connections of devices and appliances must be carried out by skilled persons and in compliance with current regulations.

Model “A” with:

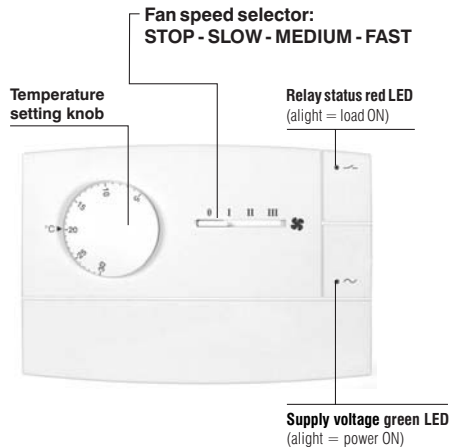


Switch:

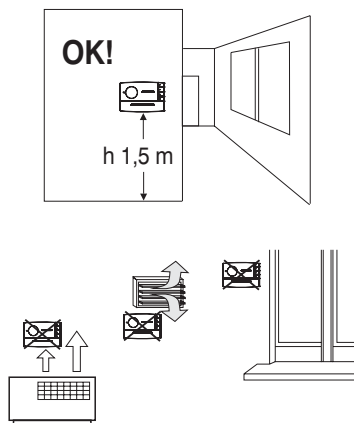
- ❄️ **WINTER** = Heating operation
- OFF** = thermoregulation OFF
- ☀️ **SUMMER** = Cooling operation

Model “B” with:

- Input for remote selection of WINTER - SUMMER mode



INSTALLATION EXAMPLES



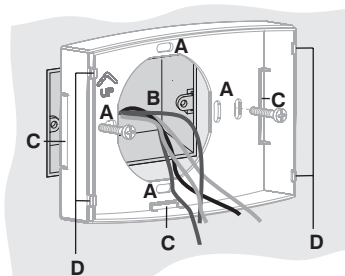
Install the thermostat at a height of $1,5\text{ m} \div 1,7\text{ m}$ from the floor, far from heat sources, air vents, doors or windows and anything else that could affect its operation.

FIXING BASE TO THE WALL

- A - Holes for fixing the base:**
to round, rectangular or wall mounting flush-mounted box
- B - Passage of wires from:**
round or rectangular flush-mounted box, corrugated tube

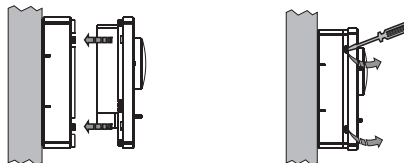
- C - Passages for wires from wall raceway (remove diaphragm)**
- D - Thermostat fixing teeth**

Surface mounting (to fix the base directly to the wall, use special plugs not supplied).



To ensure correct fitting of the thermostat to the support or surface-mounted base, make sure the latter are not distorted by overtightening of the fixing screws in the round or rectangular flush-mounted box.

FIXING AND REMOVING THE THERMOSTAT



GB

OPERATION

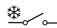
The thermostats can operate in the following modes:

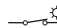
(selected by an internal switch)

- 1) thermostat-controlled solenoid valve and fixed fan
- 2) solenoid valve and fan both thermostat-controlled
- 3) thermostat-controlled fan only (solenoid valve not connected)

In all cases the 3 fan speeds can be selected using the switch located on the front.

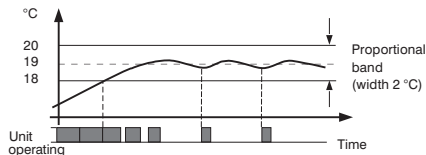
For **model A**, Heating and Cooling are selected using the front switch; **model B** can be operated from an external remote contact:

 Contact open = winter mode (heating)

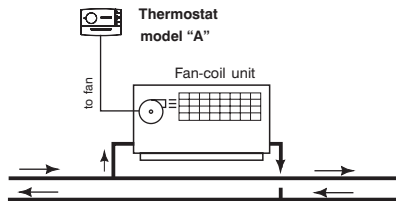
 Contact closed = summer mode (cooling)

Both thermostat models operate utilizing proportional temperature regulation within a band width of 2 °C, as shown in the figure.

Regulation operates through power on and off cycles which are variable according to differences between set temperature and sensed temperature.

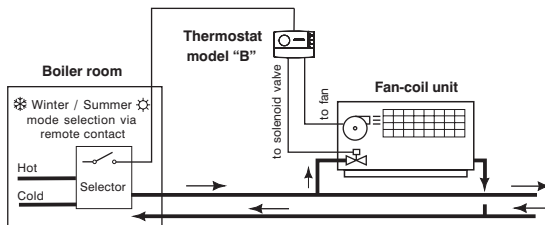


Example of **model A** installation with thermostat fan control



Example of **model "B"** thermostats installation with Winter / Summer mode selection from boiler room and thermostat control of solenoid valve and fan

Winter/summer mode selection contact connected (polarized) to thermostats



ELECTRICAL CONNECTIONS

IMPORTANT: the thermostat control outputs are polarized, as is the input for remote selection in **model B**. Great care should be taken in connecting up Live and Neutral, especially with two or more thermostats in **model B** applications connected to a single Summer-Winter external contact.

Procedure for connections:

- Switch off the mains power supply 230V~ (main switch).
- Connect terminals **L** (Line) and **N** (Neutral) to mains supply.
- According to type of installation, connect fan speed control wires to terminals **1-2-3**.
 - terminal **1** - "Slow" fan speed
 - terminal **2** - "Medium" fan speed
 - terminal **3** - "Fast" fan speed
- Connect the fluid shutoff solenoid valve to terminal **4**.

Model B only

- Connect the wire coming from the external ❄ Winter-☀ Summer selection contact to terminal **5** (contact open = Winter).

N.B.: - maximum load at fan terminals (1-2-3): 5(2) A 250 V~
 - maximum load at terminal 4 of valve: 5(2) A 250 V~
 - maximum overall load with fan + valve: 5(2) A 250 V~

SETTING THE FAN-COIL FAN CONTROL MODE

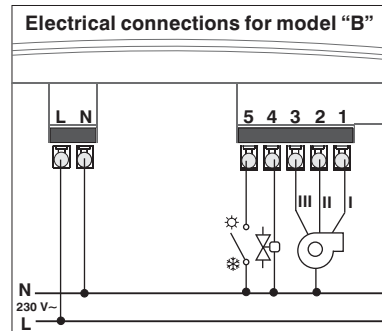
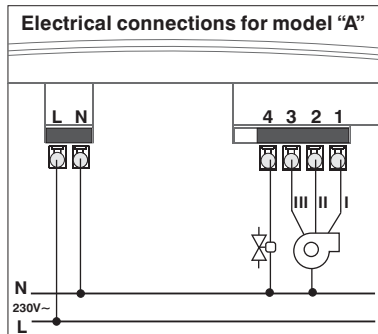
Set the internal selector according to the desired fan mode:

Selector in position **T**
 thermostat controlled fan
 operation



Selector in position **F**
 fixed fan operation

N.B.: solenoid valve is always thermostat-controlled.



LIMITATION OF THE MAXIMUM ROOM TEMPERATURE

It is possible to preset from 16 °C to 24 °C, with 2 °C step, the maximum temperature value.

N.B.: the thermostat is supplied with the "range disc" preinstalled with pin in the neutral hole (no temperature limitation).

GB Temperature limit setting or its subsequent modification

- a) Turn the knob to the 5 °C (30 °C for models in Summer mode) mark; then remove the knob.
- b-c) Take out the "temperature range" disc and reinsert it by locating the maximum desired temperature hole over the pin placed on thermostat.
- d) Replace the knob, making certain it is positioned as before: 5 °C (30 °C for models in Summer mode) position coinciding with the index on the front of the case.

Holes for temperature setpoint limitation

